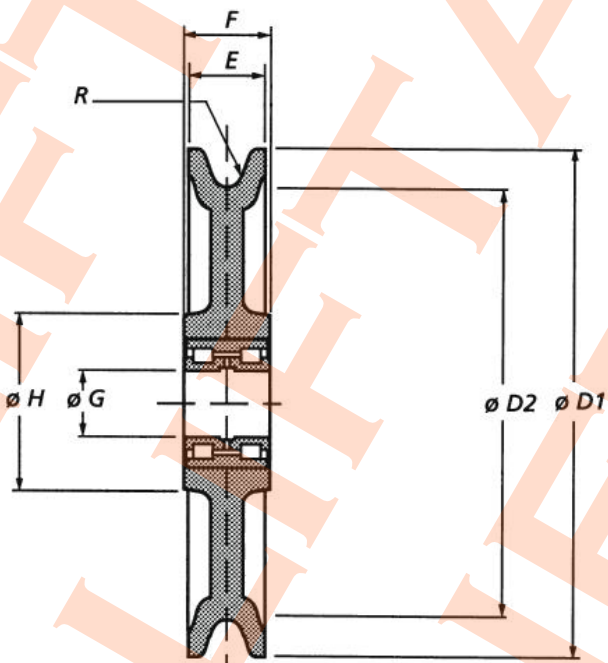


Sheaves with cylindrical roller bearings HL series



Stock No.	Wire (mm)	Dimensions (mm)							Bearing	Material	Weight (kg)
		D1	D2	E	F	G	H	R			
31.251.60.03	22	250	195	50	60	60	120	12.0	NNF 5012	GGG-60	12
31.301.70.03	24	300	250	55	60	65	130	13.0	NNF 5013	GGG-70	15
31.351.70.03	26	350	305	70	75	75	150	14.0	NNF 5015	GGG-70	20
31.401.70.03	32	400	345	75	80	90	180	17.0	NNF 5018	GGG-70	32
31.451.70.03	32	450	390	75	85	100	190	17.0	NNF 5020	GGG-70	48
31.501.60.03	36	500	430	90	100	120	225	19.5	NNF 5024	GGG-60	80
31.551.60.03	40	550	480	100	120	120	220	21.5	NNF 5024	GGG-60	80

Different shaft sizes possible.
Groove may be adjusted to other wire rope diameters.