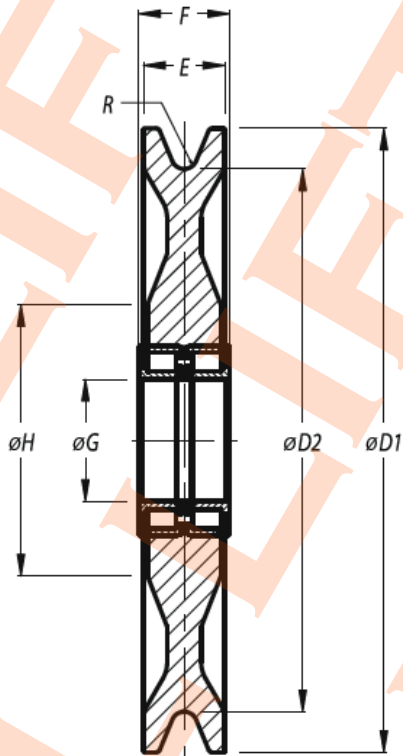


Sheaves PA with cylindrical roller bearings



Stock No.	Model No.	Wire (mm)	Dimensions (mm)							Bearing	Material	Weight (kg)
			D1	D2	E	F	G	H	R			
33.300.PA.5010	SE.260.5010.7.K	12	300	260	34	40	50	95	7.0	NNF 5010	PA 6G	2.86
33.325.PA.5012	SE.285.5012.7.K	12	325	285	34	46	60	-	7.0	NNF 5012	PA 6G	3.86
33.400.PA.5013	SE.352.5013.8,5.K	16	400	352	42	46	65	185	8.5	NNF 5013	PA 6G	5.63
33.400.PA.5016	SE.352.5016.8,5.K	16	400	352	50	60	80	185	8.5	NNF 5016	PA 6G	7.61
33.400.PA.5018	SE.400.5018.9,5.K	18	460	400	60	67	90	200	9.5	NNF 5018	PA 6G	10.81
33.460.PA.5024	SE.400.5024.9,5.K	18	460	400	72	80	120	225	9.5	NNF 5024	PA 6G	14.04
33.560.PA.5018	SE.482.5018.11,5.K	21	560	482	62	67	90	255	11.4	NNF 5018	PA 6G	14.01
33.560.PA.5024	SE.482.5024.11,5.K	21	560	482	72	80	120	255	11.4	NNF 5024	PA 6G	17.54
33.560.PA.0160	SE.482.160.11,4.K	21	560	482	72	80	160	262	11.4	NNF 160	PA 6G	17.2
33.596.PA.5018	SE.528.5018.12.K	22	596	528	60	67	90	220	12.0	NNF 5018	PA 6G	15.01
33.596.PA.5024	SE.528.5024.13.K	24	596	528	72	80	120	255	13.0	NNF 5024	PA 6G	21.14
33.596.PA.0160	SE.528.160.13.K	24	596	528	72	80	160	262	13.0	NNF 160	PA 6G	21.9
33.596.PA.0200	SE.528.200.13.K	24	596	528	72	80	200	262	13.0	NNF 200	PA 6G	25.2

Other sizes possible.

Groove may be adjusted to other wire rope diameters.

Trade names for PA include "Nylon", "Poltron", "Akulon" etc.