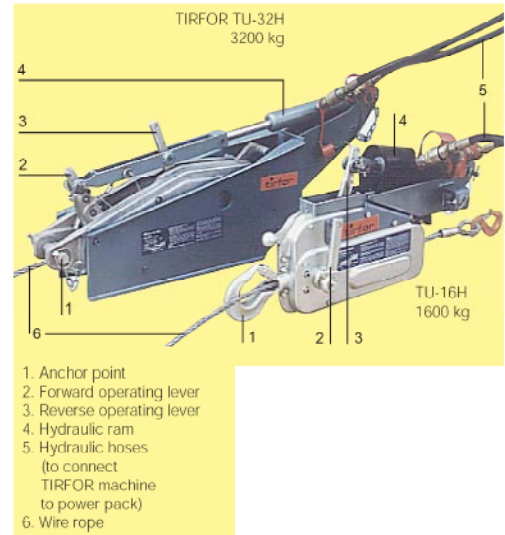


TIRFOR® TIRFOR™ TU 16 H/ TU 32H

Hydraulic Tirfor® machines are portable motorised hoists used with maxiflex wire rope. They can be used to lift, pull and position loads over great distances depending on the wire rope length. They are suitable for use in numerous configurations and are the ideal solution for use in professional applications; they are operated by an hydraulic cylinder powered by either an electrical power pack or a petrol motor power pack Option: the load capacity of the Tirfor® system can be increased by using sheave blocks.

Portable hoist to lift and pull loads, for utilisation in numerous configurations with long cable lengths.



1. Anchor point
2. Forward operating lever
3. Reverse operating lever
4. Hydraulic ram
5. Hydraulic hoses
(to connect
TIRFOR machine
to power pack)
6. Wire rope

		TU-16H	TU-32H
Nominal capacity	kg	1600	3200
(increase of power by multiple sheave blocks)			
Max. speed forward operating (lifting)	m/mn	2	0.7
Max. speed rev. operating (lowering)	m/mn	2.65	1.60
WEIGHT: TIRFOR machine with ram	kg	29	52
hydr. power pack (with oil), elec. mot.	kg		53
as above, but with petrol engine	kg		51
TIRFOR wire rope, diameter	mm	11,5	16,3
standard lenght	m	20	20
(other lenghts available on request)			