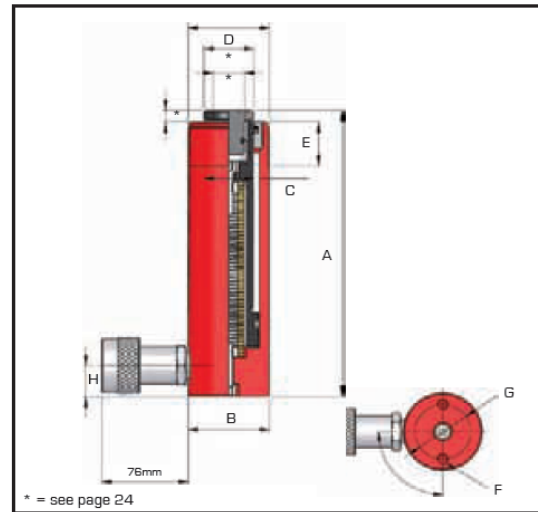
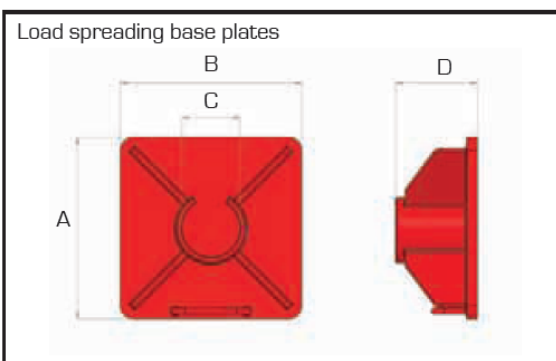


HSS - SINGLE ACTING MULTI-PURPOSE CYLINDERS



Model number	Capacity tonnes	Stroke mm	Oil cap. cm ³	Cyl. eff. area cm ²	Weight kg
HSS152	14.5	50	101	20.3	3.4
HSS154	14.5	100	203	20.3	5.0
HSS156	14.5	150	304	20.3	6.6
HSS1510	14.5	250	507	20.3	8.8
HSS252	25	51	178	34.9	6.5
HSS254	25	102	356	34.9	8.0
HSS256	25	150	524	34.9	9.6
HSS2510	25	250	874	34.9	12.6
HSS2514	25	356	1242	34.9	16.8
HSS2518	25	457	1597	34.9	21.4
HSS308	29	205	860	41.9	18.6
HSS502	50	51	364	71.3	13.0
HSS504	50	102	728	71.3	16.8
HSS506	50	152	1084	71.3	20.0
HSS508	50	203	1448	71.3	23.2
HSS5013	50	330	2354	71.3	33.6
HSS756	73	152	1561	102.7	31.0
HSS1004	109	102	1565	153.4	41.6
HSS1006	109	153	2347	153.4	49.8
HSS10010	109	254	3896	153.4	65.5

Dimensions in mm (unless otherwise stated)							
A	B	C	D	E	F	G	H
154	70	41	2 3/4"-16un	39	M10	48	19.0
204	70	41	2 3/4"-16un	39	M10	48	19.0
254	70	41	2 3/4"-16un	39	M10	48	19.0
354	70	41	2 3/4"-16un	39	M10	48	19.0
174	86	54	3 5/16"-12un	49	M12	60	25.0
225	86	54	3 5/16"-12un	49	M12	60	25.0
273	86	54	3 5/16"-12un	49	M12	60	25.0
374	86	54	3 5/16"-12un	49	M12	60	25.0
480	86	54	3 5/16"-12un	49	M12	60	25.0
611	86	54	3 5/16"-12un	49	M12	60	25.0
374	102	57	3 5/16"-12un	50	-	-	50.0
150	127	79	5"-12un	55	M12	85	20.0
201	127	79	5"-12un	55	M12	85	20.0
251	127	79	5"-12un	55	M12	85	20.0
302	127	79	5"-12un	55	M12	85	20.0
429	127	79	5"-12un	55	M12	85	20.0
272	146	95	5 3/4"-12un	45	M12	115	31.5
223	185	114	6 7/8"-12un	50	M12	146	32.0
274	185	114	6 7/8"-12un	50	M12	146	32.0
375	185	114	6 7/8"-12un	50	M12	146	32.0



Model No	For Cylinder Capacity	Dimensions in mm			
		A	B	C	D
HSS5BP	4.5 t	200	200	40.3	118
HSS10BP	10 t	230	230	58.6	120
HSS15BP	14.5 t	254	254	71.3	122
HSS25BP	25 t	280	280	89.0	126