

HFG - SINGLE ACTING FAILSAFE LOCK RING CYLINDERS



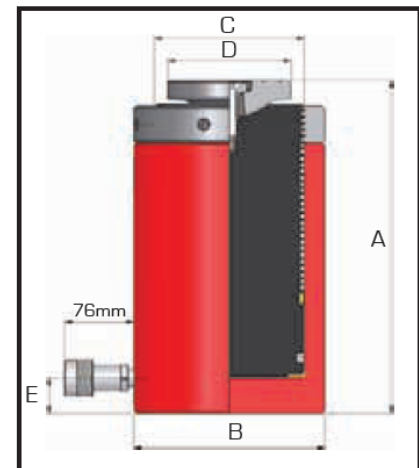
Capacities from 50 to 520 tonnes

Stroke lengths from 50 to 152mm

Working pressure 700 Bar

The HFG single acting failsafe lock ring cylinder range combines all the versatility and efficiency of hydraulic power with the safety of mechanical load support. Ideally suited for applications requiring sustained load holding for extended periods, such as bridge support work, the HFG range features a single acting, load return piston, threaded throughout its stroke length to suit the threaded mechanical load holding lock ring. Simply jack up the load, wind down the mechanical lock ring until it comes into contact with the cylinder body, release the hydraulic pressure and sustain the load mechanically. All models are suitable for vertical lifting only and are supplied with tilting saddles as standard to reduce the risk of side loading the cylinder. Standard models are featured in this catalogue, however other stroke and tonnage options are available on request.

- >> Single acting load return design
- >> Nitrocarburised cylinder bore and piston rod
- >> Low friction bearing surfaces
- >> Anti-extrusion seals
- >> Tilting saddle fitted as standard
- >> Overstroke restrictor port



Model number	Capacity tonnes	Stroke mm	Oil cap. litres	Cyl. eff. area cm ²	Weight kg	Dimensions in mm				
						A	B	C	D	E
HFG502	50	50	0.36	71.3	15.4	172	127	95	70	25.0
HFG504	50	102	0.73	71.3	20.6	224	127	95	70	25.0
HFG506	50	150	1.07	71.3	25.0	272	127	95	70	25.0
HFG1002	109	50	0.77	153.4	33.5	184	178	140	115	27.5
HFG1004	109	100	1.53	153.4	47.5	240	178	140	115	27.5
HFG1006	109	150	2.30	153.4	61.5	311	178	140	115	27.5
HFG1502	152	50	1.07	214.3	69.5	238	216	165	135	42.0
HFG1504	152	100	2.14	214.3	84.0	288	216	165	135	42.0
HFG1506	152	150	3.21	214.3	89.5	338	216	165	135	42.0
HFG2002	203	50	1.42	258.1	95.4	261	254	190	135	50.0
HFG2006	203	152	4.33	285.1	137.0	362	254	190	135	50.0
HFG3006	326	150	6.87	457.7	228.5	417	310	241	150	50.0
HFG4006	398	151	8.44	559.0	308.5	459	342	267	180	70.0
HFG5006	520	152	11.10	729.9	457.0	498	400	305	180	80.0