

## HT & SLT - MANUAL TORQUE MULTIPLIERS



Torque capacities up to 6000 Nm

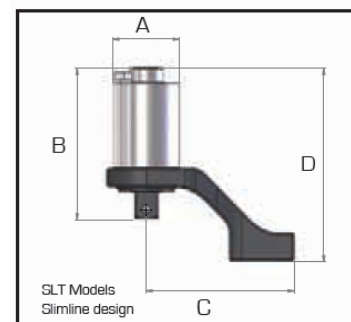
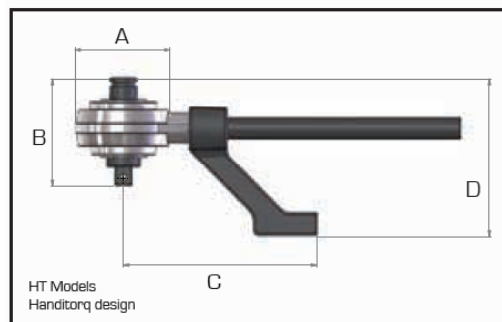
Choice of two different designs

Supplied complete with reaction foot

Hi-Force Handitorq (HT range) manual torque multipliers provide a true 5:1 torque multiplication with repeatable accuracy of +/- 4%. A choice of two models, with output torque capacities of 1300 Nm and 2700 Nm are available, each supplied with two different reaction bar designs for maximum versatility. Supplied in a handy plastic storage case the Handitorq series multiplier is ideal for inclusion in the heavy vehicle tool kit.

Hi-Force Slimline (SLT range) manual torque multipliers offer comparable output torque capacities to standard diameter torque multipliers but with the added advantage of a slimline body design, particularly suited for bolt tightening applications on pipeline flanges. The range offers 5 models all with an adjustable spline type reaction foot which allows for various lengths of sockets to be used. All models have an anti-wind up ratchet fitted as standard, which retains all of the wind-up forces as they are created, providing a greater level of safety and ease of operation. Output torque capacities range from 2000 Nm to 6000 Nm with multiplication ratios of 15:1, 25:1 and 75:1 available.

- >> Compact with true torque multiplication
- >> Output square drives from 3/4" to 1 1/2"
- >> Anti-wind up ratchet on all SLT models



Model Number	Maximum torque capacity		Multi- plication ratio	Input square drive	Output square drive	Recom. torque wrench	Weight kg
	Nm	lbf.ft					
<b>HT1300</b>	1300	960	5:1	1/2"	3/4"	<b>HTW330R</b>	7.1
<b>HT2700</b>	2700	2000	5:1	3/4"	1"	<b>HTW800B</b>	7.1
<b>SLT20-25</b>	2000	1450	25:1	1/2"	1"	<b>HTW200R</b>	4.5
<b>SLT30-15</b>	3000	2200	15:1	1/2"	1"	<b>HTW200R</b>	9.0
<b>SLT30-25</b>	3000	2200	25:1	1/2"	1"	<b>HTW200R</b>	9.0
<b>SLT60-25</b>	6000	4400	25:1	1/2"	1 1/2"	<b>HTW330R</b>	15.0
<b>SLT60-75</b>	6000	4400	75:1	1/2"	1 1/2"	<b>HTW200R</b>	16.5

Dimensions in mm			
A	B	C	D
108	126	210	180
108	129	210	186
72	166	143	197
108	224	141	256-285
108	224	141	256-285
119	271	154	320-351
119	301	154	350-380