

## PG - PISTOL GRIP PNEUMATIC TORQUE MULTIPLIERS



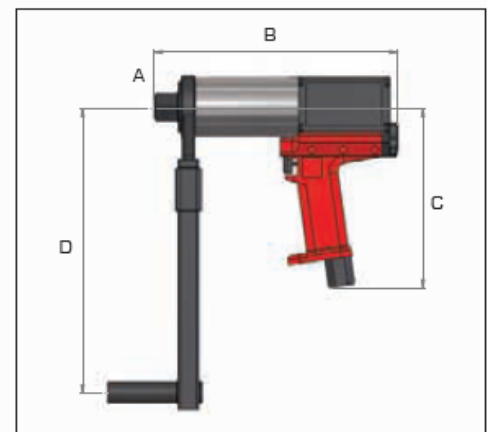
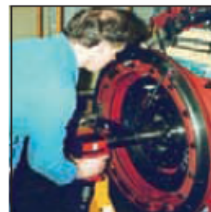
Torque capacities up to 2000 Nm

Repeatable accuracy of +/- 5%

Choice of 5 models

The PG pistol grip pneumatic torque multiplier range is designed to provide smooth bolt tightening without impacting or pulsing. Offering a repeatable torque accuracy of +/- 5%, these low noise level tools reduce operator fatigue, increase safety and ensure fast, accurate tightening of bolted components. Incorporating a powerful, reversible air motor suitable for tightening and loosening operations, the non-impacting design of the planetary gears ensures minimum wear to sockets and bolted components. All models are supplied complete with an airline pressure and lubrication control unit in a handy carrying frame and a 3 metre length connecting hose. Accurate preset torque can easily be achieved by adjusting the airline input pressure in conjunction with the calibration graph supplied with each tool. Air consumption is 11 litres per second from a standard airline pressure of 5 Bar (23 cubic feet per minute @ 70 PSI).

- >> Slim 72mm diameter gear box allows excellent access
- >> Sensitive trigger control allows for easy reaction plate positioning
- >> Smooth, quiet, non-impacting design with reversible air motor
- >> Wide range of attachments and accessories available
- >> Two speed models available on request



Model number	Torque capacity Nm	lbf.ft	Square drive size	R.P.M. at max pressure	Weight kg
<b>PG500</b>	90-500	66-370	3/4"	35	8.1
<b>PG1075</b>	190-1000	140-740	3/4"	15	8.1
<b>PG1000</b>	190-1000	140-740	1"	15	8.1
<b>PG1500</b>	300-1500	220-1100	1"	9	8.1
<b>PG2000</b>	400-2000	300-1450	1"	6	8.1

Dimensions in mm			
A	B	C	D
72	301	223	334
72	301	223	334
72	301	223	334
72	301	223	334
72	301	223	334