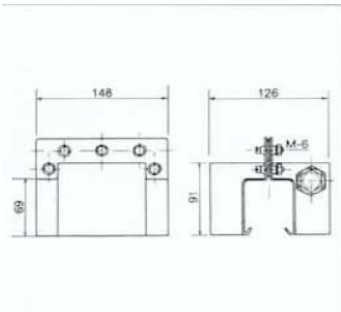


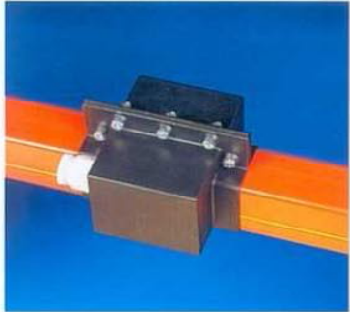
LINE FEED



Ref. AI-4, AI-4-100 and AI-4-140

For connecting the power supply at any position along the length of the system.

- In insulated material.
- Weight: 350 grms.
- With housing connections which envelope the conductor connections.
- Cable entry via cable glands:
 - 1pc. PG-21 for LM-40 and LM-60..... Ref. AI-4
 - 2pcs. PG-21 for LM-80 and LM-100..... Ref. AI-4-100
 - 4pcs. PG-21 for LM-140..... Ref. AI-4-140
- For outdoor systems or aggressive environments Ref. AI-4E



Ref. AI-4