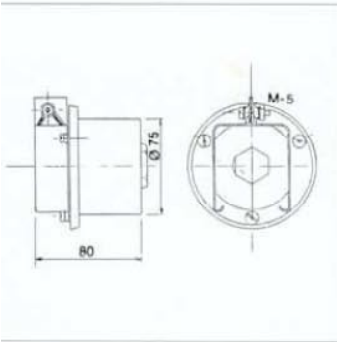


END CAP

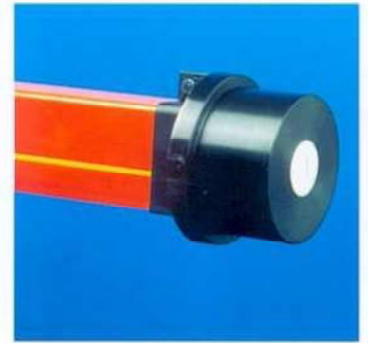


Ref. TE-4

Acts as a security element protecting the ends of the system.

- In insulated material.
- Weight: 130 grms.

For outdoor systems or aggressive environments Ref. TE-4E.



Ref. TE-4