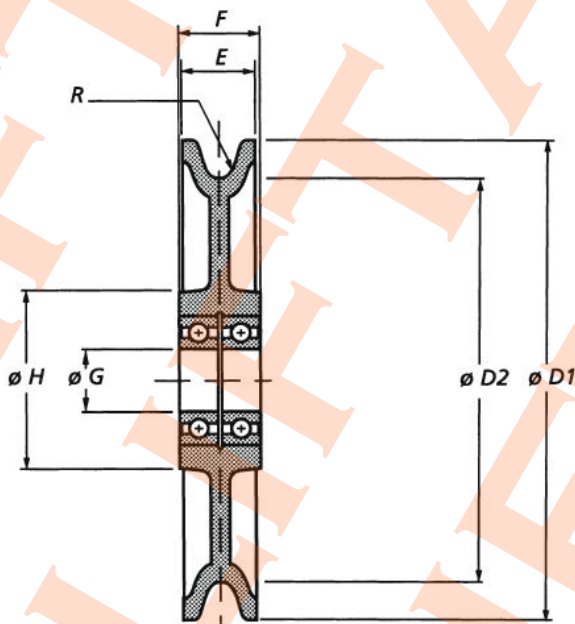


Sheaves with ball bearings



Stock No.	Wire (mm)	Dimensions (mm)							Bearing	Material	Weight (kg)
		D1	D2	E	F	G	H	R			
31.100.70.02	8	100	80	18	20	15	40	4.5	2x6002-RS	GGG-60	0.7
31.125.70.02	10	125	105	23	27.5	22	55	5.5	2x60/22-RS	GGG-60	1.5
31.150.70.02	12	150	120	36	40	30	80	6.5	2x6206-RS	GGG-60	3
31.150.70.02	12	150	120	36	40	30	80	6.5	2x6206-RS	GGG-70	3
31.200.70.02	14	200	165	36	40	30	80	7.5	2x6206-RS	GGG-60	4.5
31.250.70.02	18	250	210	40	45	35	90	9.5	2x6207-RS	GGG-70	8
31.300.70.02	20	300	255	45	50	40	100	11.0	2x6208-RS	GGG-70	12
31.350.70.02	22	350	305	45	50	45	115	12.0	2x6209-RS	GGG-70	17
31.400.70.02	24	400	345	55	60	50	130	13.0	2x6210-RS	GGG-70	24

Different shaft sizes possible.

Groove may be adjusted to other wire rope diameters.