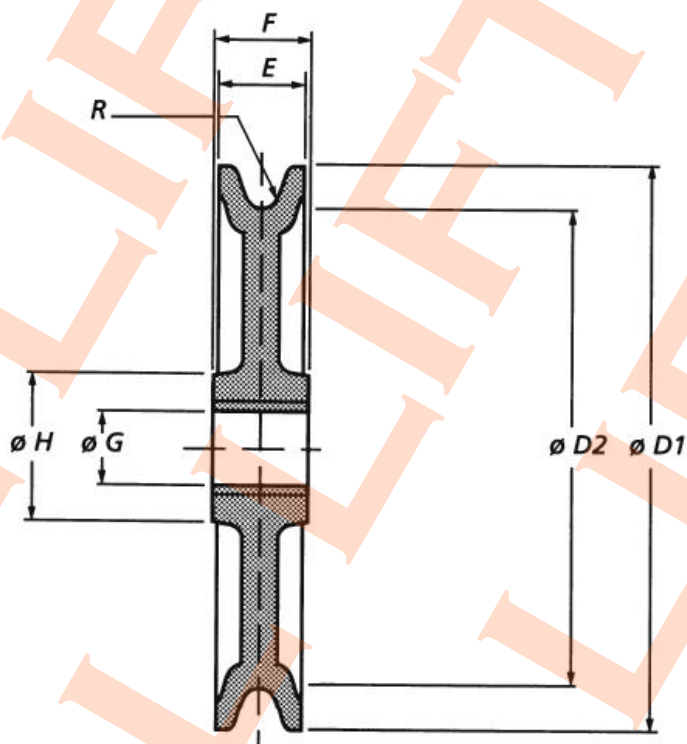


## Sheaves with bronze bushing HL series



Stock No.	Wire (mm)	Dimensions (mm)							Bearing	Material	Weight (kg)
		D1	D2	E	F	G	H	R			
31.251.60.01	22	250	195	50	60	60	120	12.0	Bronze	GGG-60	12
31.301.70.01	24	300	250	55	60	70	130	13.0	Bronze	GGG-70	15
31.351.70.01	26	350	305	70	75	70	150	14.0	Bronze	GGG-70	20
31.401.70.01	28	400	345	75	80	80	180	15.0	Bronze	GGG-70	32
31.451.70.01	32	450	390	75	85	80	190	17.0	Bronze	GGG-70	48
31.501.60.01	36	500	430	90	100	100	225	19.5	Bronze	GGG-60	80
31.551.60.01	40	550	480	100	120	120	220	21.5	Bronze	GGG-60	80

Different shaft sizes possible.  
Groove may be adjusted to other wire rope diameters.