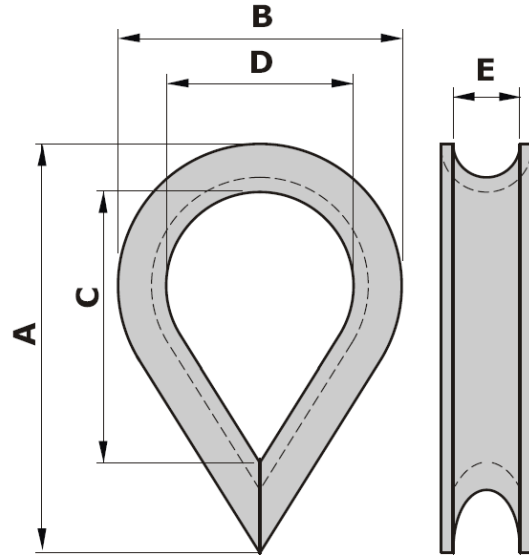
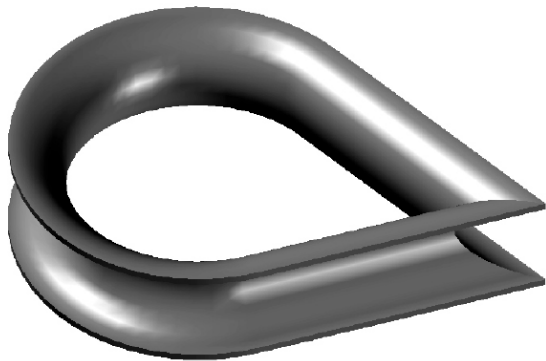


# HEART THIMBLE

# TYPE K1

Material : Mild steel  
 Finish : Galvanised  
**Suitable for wire rope or fibre rope**



Art. no.	A Inch	B mm	C mm	D mm	E mm	Packing	Weight kg/100
10010000	1"	19	16	11	5	500	0.5
10015000	1½"	29	26	19	7	500	1.4
10020000	2"	31	28	22	9	250	3
10025000	2½"	41	39	25	11	250	5
10030000	3"	51	49	34	13	300	10
10035000	3½"	60	56	40	15	150	14
10040000	4"	68	65	45	17	100	19
10045000	4½"	75	70	50	19	75	24
10050000	5"	85	80	54	21	50	38
10055000	5½"	92	90	58	23	50	47
10060000	6"	110	100	75	25	40	48
10070000	7"	130	118	85	30	20	68

Tolerance ± 5%