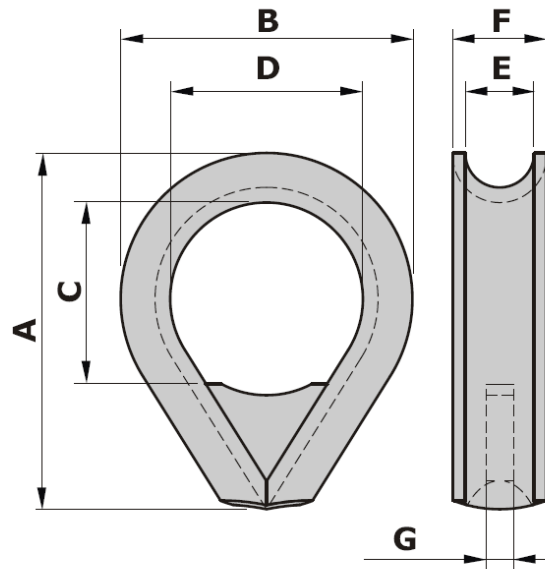


# HEAVY DUTY STUB-END THIMBLE REINFORCED

## TYPE K2-B

Material : Mild steel  
Finish : Galvanised

**Suitable for wire rope**



Art. no.	A Inch	B mm	C mm	D mm	E mm	F mm	G mm	Packing	Weight kg/100
11040999	4"	75	50	50	17	22	6	10	40
11045999	4½"	85	50	53	19	25	6	10	50
11050999	5"	100	60	60	21	29	8	10	80
11055999	5½"	110	60	65	23	33	8	10	90
11069999	6"	115	70	70	25	34	8	10	100
11079999	7"	135	75	80	30	38	10	10	170
11089999	8"	155	80	100	33	44	10		250
11099999	9"	175	110	115	38	49	10		400
11109999	10"	190	120	120	41	52	15		450
11119999	11"	210	120	130	46	60	15		700
11129999	12"	225	140	140	52	65	15		830
11149999	14"	240	150	150	60	72	20		1250
11179999	17"	290	185	180	70	82	20		1950
11199999	19"	320	225	220	81	119	20		2900
11229999	22"	375	280	240	92	127	20		3500
11249999	24"	410	280	250	105	145	25		4200
11269999	26"	450	280	280	120	155	30		5800

Tolerance ± 5%