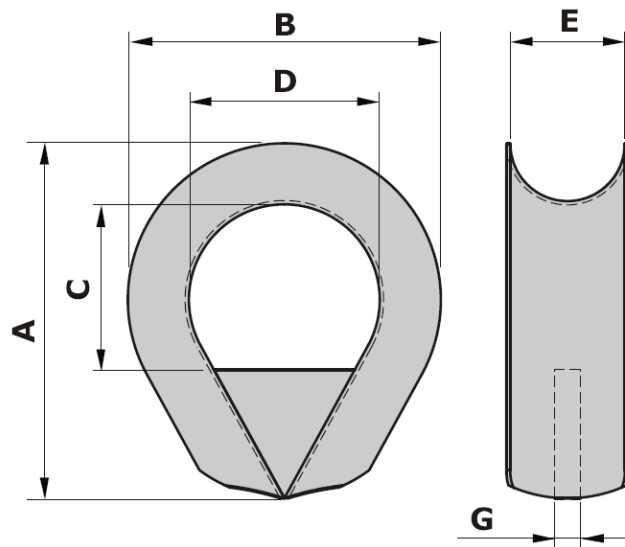
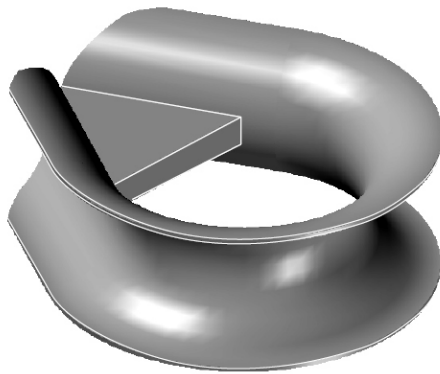


FIBRE ROPE THIMBLE REINFORCED

TYPE K3-B

Material : Mild steel
 Finish : Galvanised
Suitable for fibre rope



Art. no.	A Inch	B mm	C mm	D mm	E mm	G mm	Packing	Weight kg/100
12059999	5"	110	50	65	40	10	10	80
12069999	6"	120	65	75	48	10	10	130
12079999	7"	140	90	85	56	10	10	190
12089999	8"	160	95	105	64	10		340
12099999	9"	180	100	110	72	10		580
12109990	10"	200	115	120	80	10		690
12119999	11"	220	135	145	88	15		850
12129999	12"	245	135	150	102	15		1200
12149999	14"	300	135	170	115	15		1950
12169999	16"	320	150	185	130	20		2000
12189999	18"	350	200	205	150	20		3000

Tolerance \pm 5%