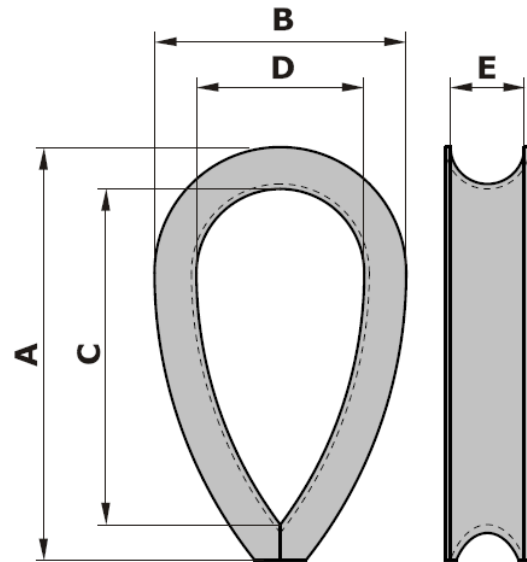


# THIMBLE ACCORDING DIN 3090

# TYPE K6

Material : Mild steel  
 Finish : Galvanised  
**Suitable for wire rope**



Art. no.	Rope size mm	A mm	B mm	C mm	D mm	E mm	Packing	Weight kg/100
19000600	6	--	--	30	15	7	1000	3
19000800	8			40	20	9	500	7
19001000	10			50	25	11	300	17
19001200	12			60	30	13	200	24
19001400	14			70	35	16	150	36
19001600	16			80	40	18	100	50
19001800	18			90	45	20	60	62
19002000	20			100	50	22	50	90
19002200	22			110	55	24	40	100
19002400	24			120	60	26	30	130
19002600	26			130	65	29		
19002800	28			140	70	31		
19003600	36			180	90	40		
19003800	38			190	95	42		
19004000	40			200	100	44		
19004800	48			240	120	53		
19006400	64			320	160	70		

Tolerance  $\pm$  5%