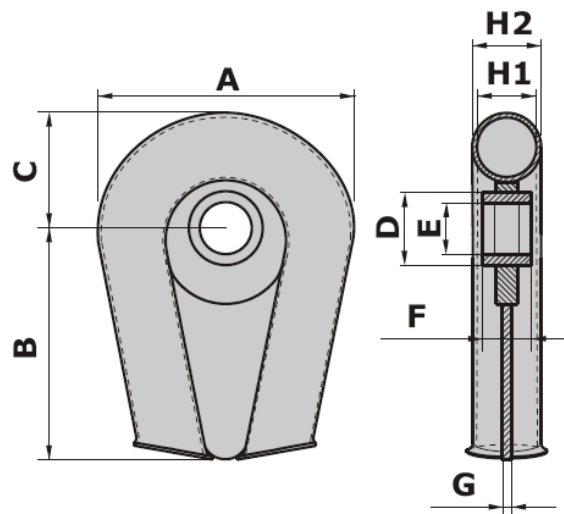
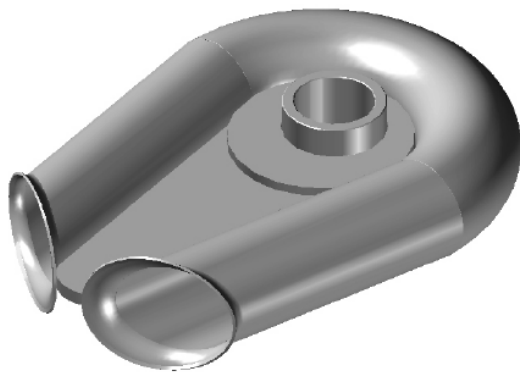


TUBULAR THIMBLE

TYPE K11

Material : Mild steel
 Finish : Galvanised
 Plastic coating on request

Suitable for fibre rope



Art. no.	Rope size Inch	A mm	B mm	C mm	D mm	E mm	F mm	G mm	H1 mm	H2 mm	Weight kg
18000600	6"	254	200	126	-	60	-	30	64	70	8
18000800	8"	318	250	158	-	80	-	40	82	89	15
18001001	10"	419	360	210	190	132	105	15	107	114	28
18001200	12"	521	416	250	194	144	130	20	132	140	46
18001500	15"	625	539	282	194	144	150	25	159	168	74
18001800	18"	734	640	336	219	169	175	30	183	194	126
18002100	21"	829	780	374	219	169	200	30	207	219	176
18002400	24"	924	915	421	273	201	225	40	232	245	272
18002700	27"	1035	1060	477	273	201	250	50	260	273	400

Tolerance \pm 5%