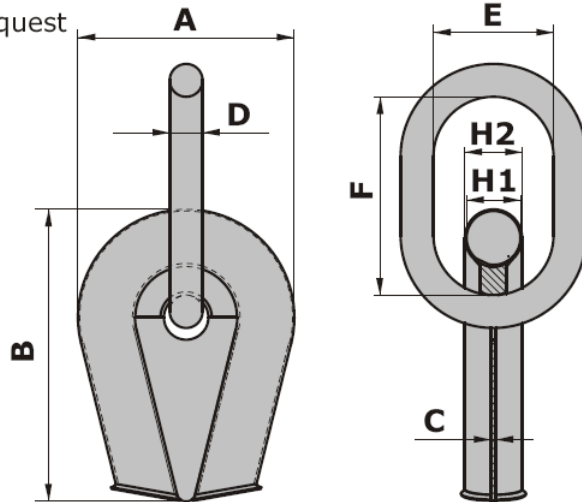
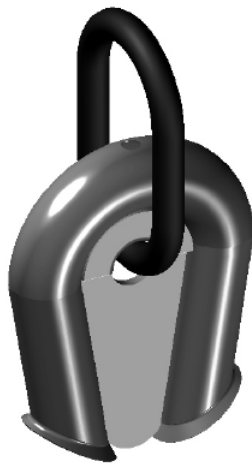


TUBULAR THIMBLE WITH LINK

TYPE K12

Material : Thimble mild steel
Link high alloy steel
Finish : Painted
Plastic coating on request

Suitable for fibre rope



Art. no.	Rope size Inch	A mm	B mm	C mm	H1 mm	H2 mm	D mm	E mm	F mm	MBL link tons	Weight Kg
18000632	6"	254	310	30	64	70	32	110	200	40	26
18000636	6"	254	310	30	64	70	36	140	260	64	28
18000645	6"	254	310	30	64	70	45	180	340	104	35
18000836	8"	318	555	40	82	89	36	140	260	64	32
18000845	8"	318	555	40	82	89	45	180	340	104	39
18000851	8"	318	555	40	82	89	51	190	350	144	43
18001045	10"	419	570	15	107	114	45	180	340	104	48
18001051	10"	419	570	15	107	114	51	190	350	144	51
18001057	10"	419	570	15	107	144	57	200	400	188	59
18001263	12"	521	680	20	132	140	63	230	430	232	82
18001272	12"	521	680	20	132	140	72	250	440	336	96
18001280	12"	521	680	20	132	140	80	250	450	420	115
18001572	15"	625	822	25	159	168	72	250	440	336	126
18001580	15"	625	822	25	159	168	80	250	450	420	142
18001590	15"	625	822	25	159	168	90	300	460	524	165
18001880	18"	734	978	30	183	194	80	250	450	420	202
18001890	18"	734	978	30	183	194	90	300	460	524	215
18001810	18"	734	978	30	183	194	100	300	500	628	235
18002190	21"	829	1155	30	207	219	90	300	460	524	255
18002110	21"	829	1155	30	207	219	100	300	500	628	283
18002112	21"	829	1155	30	207	219	115	400	600	1000	320
18002410	24"	924	1345	40	232	245	100	300	500	628	360
18002412	24"	924	1345	40	232	245	115	400	600	1000	420

Tolerance \pm 5%