

Yaletrac cable puller

800 kg · 1.600 kg · 3.200 kg

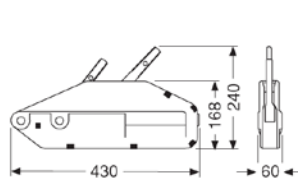
The portable Yaletrac cable puller is a versatile tool for pulling, lifting, lowering, tensioning and securing loads over long distances. It has been specially designed for applications in industry, Building construction, civil engineering, power line construction, ship building and oil refineries etc.

The Yaletrac cable puller is almost service free – easy to use and safe. The standard unit comprises of the Yaletrac cable puller with handlever and a 20 m resp. 10 m length of wire rope mounted on a hand reel. The original Yaletrac wire rope has six strands with a steel core and is identified by an orange strand. Only this special wire rope will ensure proper functioning.

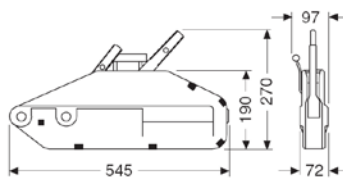
Every Yaletrac cable puller is factory tested with overload. The units are supplied with a test certificate showing the serial number and an operating instructions manual which contains an EC declaration of conformity. Yaletrac cable pullers have been tested and approved by many national and international safety and inspection organisations.



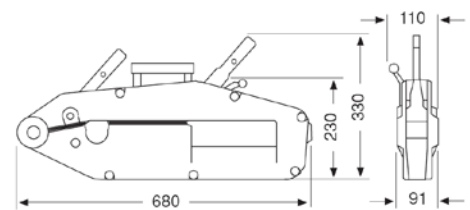
Model	Capacity (WLL) kg	Rope advance per double stroke mm	Lever pull at WLL daN	Lever length mm	Wire rope Ø mm	Weight without rope kg	Rope weight kg/m
Yaletrac Y08	800	60	24	800	8,4	7,0	0,29
Yaletrac Y16	1600	60	30	790/1190	11,5	14,0	0,53
Yaletrac Y32	3200	40	50	790/1190	16,0	21,0	1,0



Yaletrac Y08



Yaletrac Y16



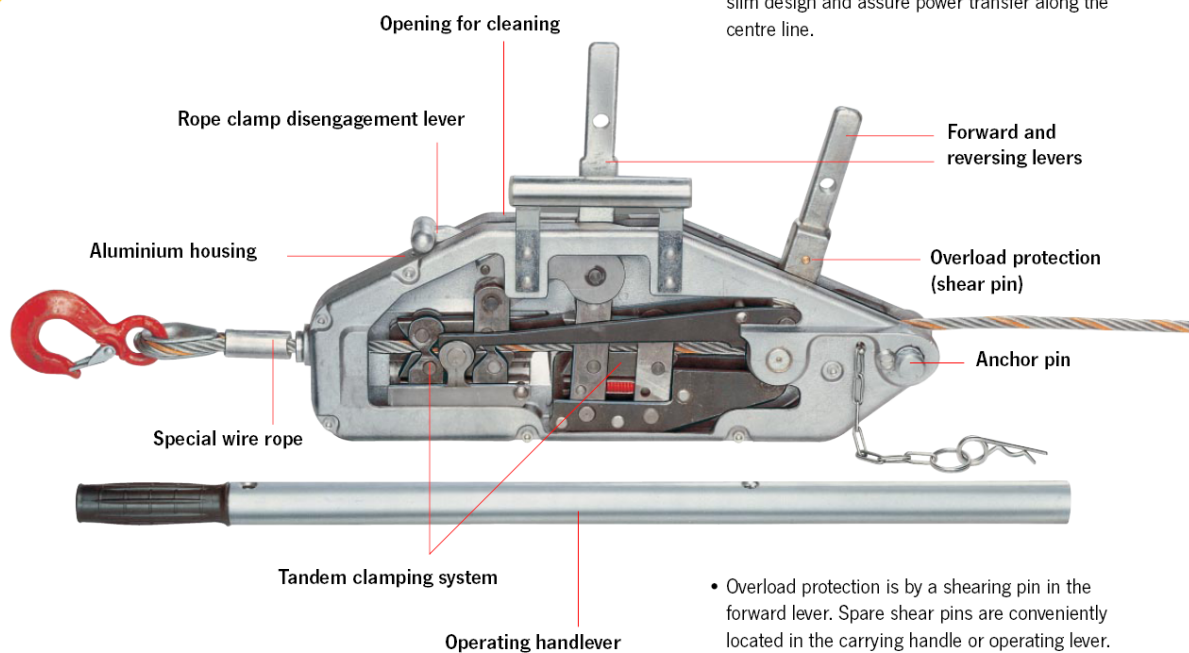
Yaletrac Y32

Yale[®]

Cable puller Yaletrac

Features

- Light weight, compact, high strength aluminium housing. Smooth contour design with large, flat bottom surface for increased stability in horizontal and vertical working position.
- Forward and reversing levers in tandem provide slim design and assure power transfer along the centre line.



As shown in the drawings all models can be fitted with safety clevis hooks.

- Overload protection is by a shearing pin in the forward lever. Spare shear pins are conveniently located in the carrying handle or operating lever. A broken pin can be replaced without removing the load.
- A lever disengages the rope clamp system allowing easy, smooth installation of the wire rope.
- Yaletrac uses a special flexible wire rope. It has six strands with a steel core and is identified by an orange strand. The rope is tapered at one end for easy threading and fitted with a safety hook on the other end.
- The parallel arrangement of the clamping system protects the wire rope by distributing the clamping forces evenly. A long rope advance per each lever stroke increases the working speed.
- The large opening in the top of the unit allows easy cleaning: simply flush the unit with water, apply motor oil for lubrication and the Yaletrac is again ready for use.