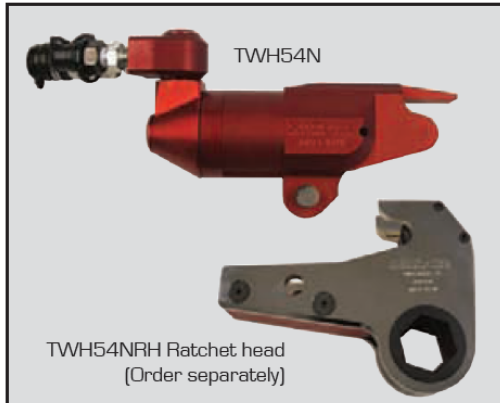


TWH-N - HYDRAULIC TORQUE WRENCH - DRIVE CYLINDERS



Working pressure 700 Bar

Powerful with low clearance design

Fitted with 360° x 360° Uni-Swivel couplings

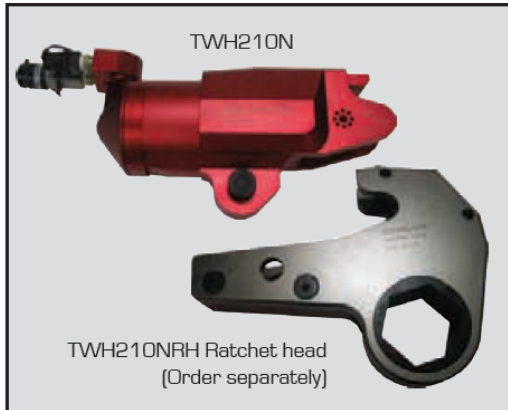
Hi-Force TWH-N series female hexagon cassette head hydraulic torque wrenches offer a choice of 5 models with output torque capacities from 2625 Nm to 48181 Nm [1906 to 34985 lbf.ft]. Manufactured from high grade aluminium (except TWH430N), all models provide direct in-line reaction and a minimal radius clearance for easy fitment in confined spaces. The user friendly design of the tool simply requires the operator to withdraw/insert a single pin to change the ratchet head. Ratchet heads are available in all standard metric and imperial AF sizes from 24 to 175mm [$1\frac{1}{16}$ " to $6\frac{7}{8}$ "] with low cost hexagon reducer bushes also available (see pages 79 - 80). Uni-Swivel quick release couplers are fitted as standard to all models, enabling easy positioning of the hydraulic hoses.

- >> Compact, lightweight, aluminium drive unit (except TWH430N)
- >> Accurate to +/- 3% with standard torque chart supplied
- >> Low profile design for limited access applications
- >> Minimum radius cassette head for fitment in confined spaces
- >> Suitable for continuous operation at maximum pressure



Note: Model TWH430N manufactured from high grade alloy steel

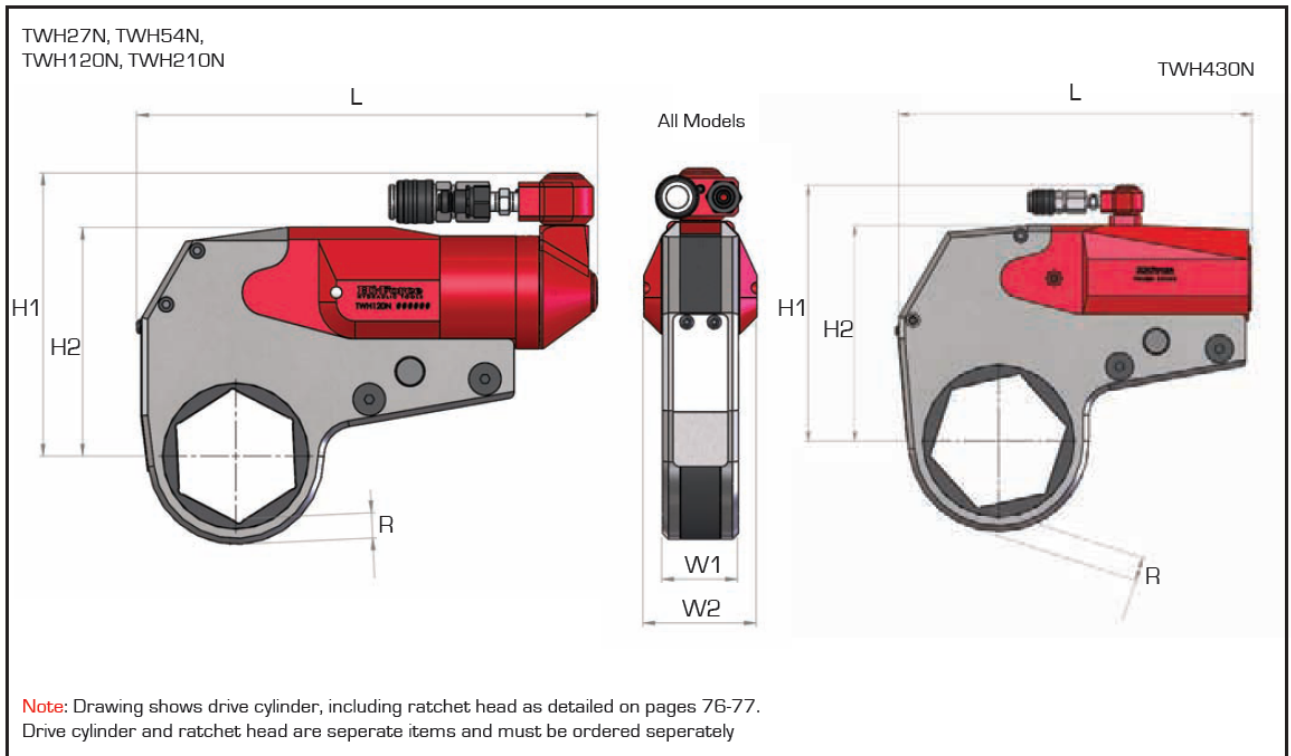
TWH-N - HYDRAULIC TORQUE WRENCH - DRIVE CYLINDERS



Designed for tightening and loosening applications

Easily assembled to selected ratchet head

Minimal nose radius for fitment in confined spaces



Model number (drive cyl.)	Torque capacity		Hexagon AF size				Weight kg
	at 700 Bar Nm	at 10,000PSI lbf. ft	Metric		Imperial		
			min	max	min	max	
TWH27N	2625	1906	24	46	1 1/16"	to 1 13/16"	1.4
	3068	2228	50	60	2"	to 2 3/8"	1.4
TWH54N	5372	3901	36	65	1 7/16"	to 2 9/16"	2.3
	6037	4384	70	80	2 3/4"	to 3 1/8"	2.3
TWH120N	11737	8522	50	80	2 3/16"	to 3 1/8"	3.8
	14349	10419	85	100	3 1/2"	to 3 7/8"	3.8
TWH210N	21216	15405	70	100	2 3/4"	to 3 7/8"	6.4
	23124	16791	105	115	4 1/4"	to 4 5/8"	6.4
TWH430N	43792	31798	80	115	3 1/8"	to 4 5/8"	16.1
	48181	34985	130	175	5"	to 6 7/8"	16.1

Dimensions in mm						
L	H1	H2	W1	W2	R	
max	max	max			min	max
193	125	97	32	51	9.5 - 12.2	
193	136	108	32	51	10.1 - 10.5	
250	158	125	41	64	10.7 - 13.8	
250	169	136	41	64	11.7 - 14.6	
310	189	157	52	78	14.7 - 15.2	
310	214	182	52	78	15.9 - 18.7	
378	223	191	64	97	18.1 - 18.6	
378	236	204	64	97	18.3 - 20.7	
405	291	242	83	93	25.6 - 31.3	
425	309	260	83	93	24.8 - 27.3	