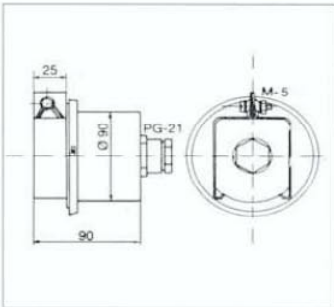


END FEED



Ref. AE-4, AE-4-100 and AE-4-140

For connecting the power supply to the line at one end of the system.

- In insulated material.
- Weight: 280 grms.
- Incorporates the housing connections.
- Cable entry via a cable gland:
 - 1pc. PG-21 for LM-40 and LM-60..... Ref. AE-4
 - 1pc. PG-29 for LM-80 and LM-100..... Ref. AE-4-100
 - 1pc. PG-36 for LM-140..... Ref. AE-4-140
- For outdoor systems or aggressive environments Ref. AE-4E



Ref. AE-4